

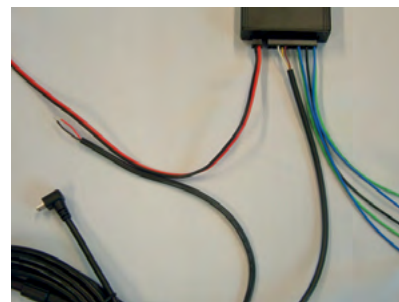


## Installation

ENAIKOON locate-06 with Garmin®

### Straightforward installation

Connect the black and the red cable of the locate-06 and the black and red end from the Telematic-cable to the terminal 31 (black) and terminal 30 (red), and connect the digital Input 4 (green) to ignition, install the combined GSM/GPS antenna, connect the plug of the Telematic-cable to the Garmin® nüvi. That's all.

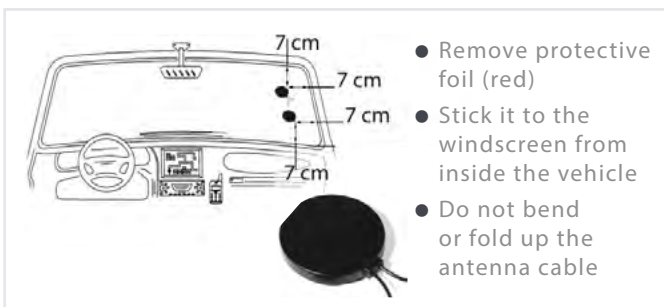


Garmin® Telematic-cable



Garmin® nüvi 465

- Battery positive pole 6 - 31 V (red, terminal 30):** Please connect to a cable with direct connection to the positive pole of the battery or to a VCC supply
- Ground (black, terminal 31):** Please connect directly to the car body, not to the battery negative pole
- Digital Input 4, green (Ignition - terminal 15):** Please do not connect it to the car radio or to the terminal 15r or terminal 30z or to the cable with tension of the ignition switch 1, but connect it directly to the terminal 15 and to the cable with tension of the ignition switch 2
- Digital Output 1, blue**
- Ground - car body (terminal 31, black)**
- Digitaler Input 1, green**
- Digital Output 4, blue**



We strongly dis advise using cable binders or strip connectors. Please use a soldering pen to connect the cables, and check continuity afterwards.

Please ensure that there is no material between the ENAIKOON locate-06 antenna and the sky that may interfere with the radio transmission, such as metal, water, metal oxide windscreens, or plastic with a metal varnish.

Keep a minimum distance of 1 metre (1 yd) from other antennas mounted to the vehicle (i.e. radio antenna, toll collect antenna, car phone antenna etc.)  
A minimum distance of 7 cm (2.8 in) must be kept from the front shield frame.

**WARNING:** Problems may arise in vehicles with heated or metal oxide windscreens.



## ENAIKOON

ENAIKOON GmbH  
Helmholtzstr. 2-9  
10587 Berlin  
Germany

Tel.: +49 30 397475-30  
Fax: +49 30 397475-40  
[info@enaikoon.com](mailto:info@enaikoon.com)  
[www.enaikoon.com](http://www.enaikoon.com)

Service hotline:

Mon. - Fri., 9:00 - 13:00  
and 14:00 - 17:00 CET